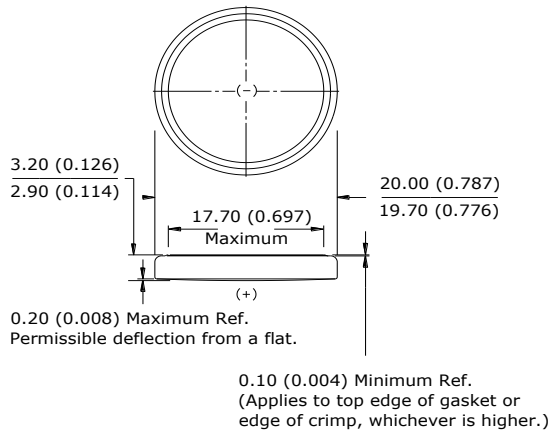


# ENERGIZER CR2032 Ultimate Lithium

**Lithium Coin**



## Industry Standard Dimensions mm (inches)



## General Information

**Classification:** "Lithium Coin"  
**Chemical System:** Lithium / Manganese Dioxide (Li/MnO<sub>2</sub>)  
**Designation:** ANSI / NEDA-5004LC, IEC-CR2032  
**Nominal Voltage:** 3.0 Volts  
**Typical Capacity:** 254 mAh (to 2.0 volts)  
 (Rated at 15K ohms at 21°C)  
**Typical Weight:** 3.0 grams (0.10 oz.)  
**Typical Volume:** 1.0 cubic centimeters (0.06 cubic inch)  
**Typical Li Content:** 0.11 grams  
**Operating Temp:** -30C to 60C  
**Self Discharge:** ~1% / year @ 21° C

### Safety:



**(1) KEEP OUT OF REACH OF CHILDREN.** Swallowing may lead to serious injury or death in as little as 2 hours due to chemical burns and potential perforation of the esophagus. **Immediately see doctor; have doctor phone (800) 498-8666.**

**(2) Battery compartment design.** To prevent children from removing batteries, battery compartments should be designed with one of the following methods: a) a tool such as screwdriver or coin is required to open battery compartment or b) the battery compartment door/cover requires the application of a minimum of two independent and simultaneous movements of the securing mechanism to open by hand. Screws should remain captive with the battery door or cover.

## Simulated Application test

Typical Performance at 21°C (70°F)

Schedule:	Typical Drains: at 2.9V (mA)	Load (ohms)	Cutoff 2.0V (hours)
Continuous	0.19	15,000	1352

## Pulse Discharge Characteristics

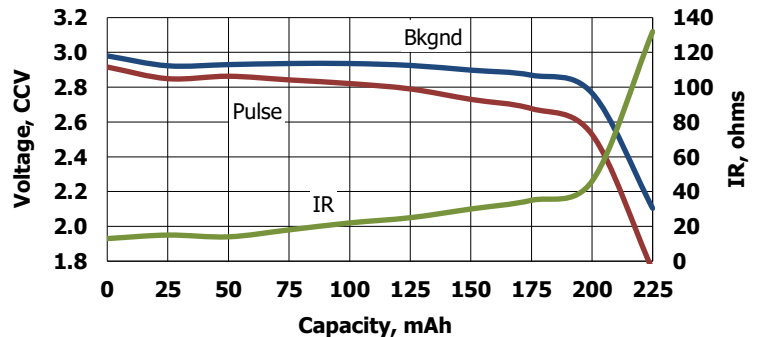
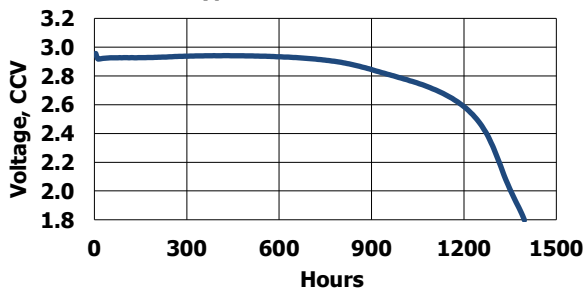
Pulse Test at 21°C (70°F)

**Bkgnd Drain:** Continuous  
 21°C (70°F) 15K ohms  
 0.19 mA @2.9V

**Pulse Drain:** 2 seconds X 12 times/day  
 400 ohms  
 ~6.8 mA @2.7V

## Continuous Discharge Characteristics

Load: 15K ohms - continuous 21°C (70°F)  
 Typical Drain @ 2.9V: 0.19 mA



### Important Notice

This datasheet contains typical information specific to products manufactured at the time of its publication.  
**Contents herein do not constitute a warranty and are for reference only.**